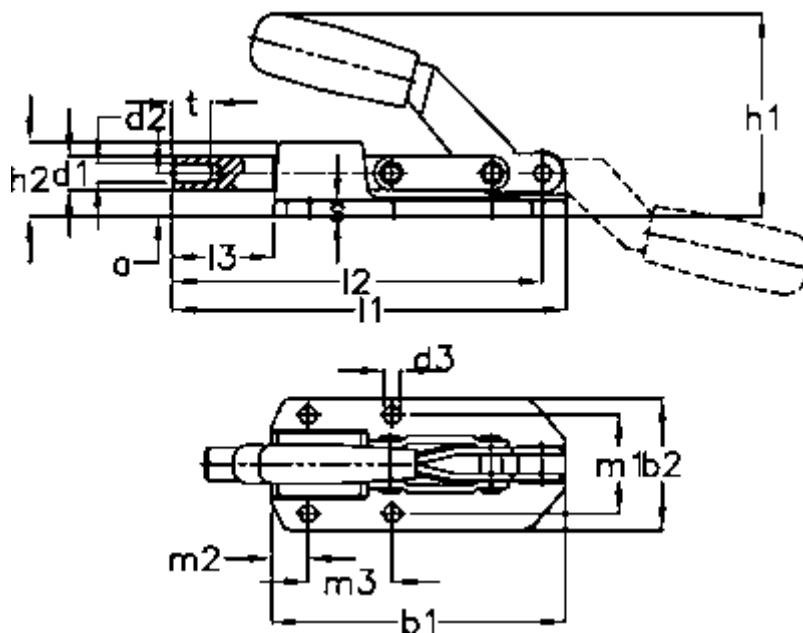


Article number: 201366122

Description: E+G Klee plunger clamp GN 842-360-AS

Measures



$a = 25$	Holding force N = 5600	Size = 360
$b_1 = 90$	$l_1 = 122$	$t = 15$
$b_2 = 45.5$	$l_2 = 114$	$W = 32$
$d_1 = 12$	$l_3 = 32$	
$d_2 = M8$	$m_1 = 33.5$	
$d_3 = 5.5$	$m_2 = 30$	
$h_1 = 75$	$m_3 = 36.5$	
$h_2 = 34.5$	$s = 6$	